

## Technical Data

Size, hand unit: 85 x 37 x 30 mm  
Weight, hand unit: 50 g (including battery)  
Battery: 1 NiMH, rechargeable in Comfort Duett

Status indication:

*On Comfort Duett:* Green LED in MIC mode, orange LED in T (loop) mode.

Dots below the mode selector reinforce the status indication.

*On the charger unit:* Green LED when charging or in use as television/telephone amplifier.

Battery life: 15-20 h depending on output level

Charge time: appr. 14 h to fully charged

Microphone: Built-in, omni directional

Volume control: Infinitely variable volume control and possibilities to set the maximum amplification level

Bandwidth (electric): 275-9000 Hz

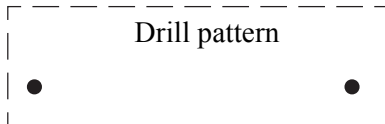
Bandwidth, with base reduction: 600-9000 Hz

## Warranty

The manufacturer issues a two years limited warranty upon the date of the original purchase.

\*The warranty covers any defects in workmanship, manufacturing and design that cause fails to functioning during normal use. The warranty does not cover malfunctions resulting from abuse, neglect or accident.

Drill pattern



user guide



Please read the instructions before using this product

## About Comfort Duett

Comfort Duett is a small, user friendly, rechargeable personal listener with a first-class sound.

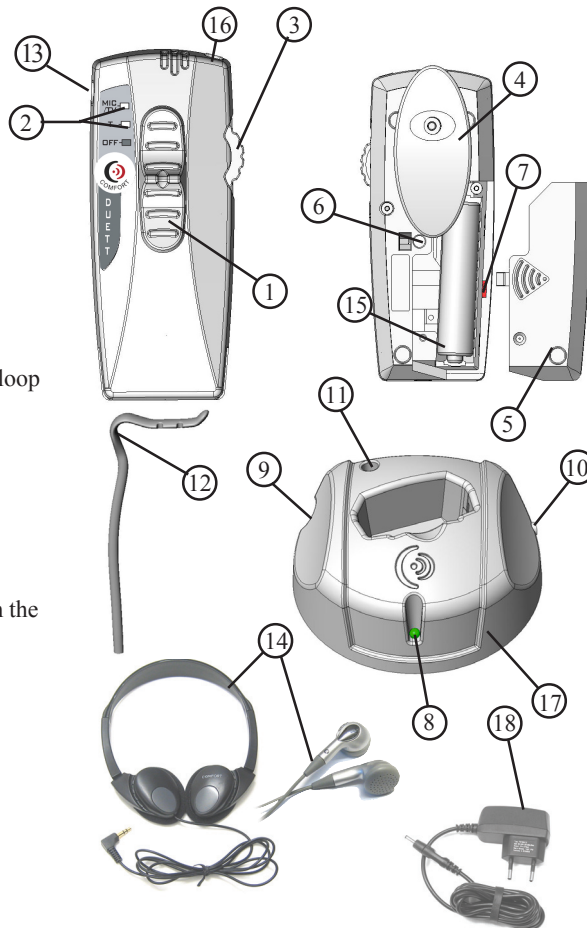
It has a built-in coil and a rechargeable battery. It is also possible to amplify sound from a variety of sources like TV, Radio, Telephone etc. All this makes Comfort Duett the ideal tool for a majority of users.

Inside Comfort Duett a rechargeable battery is placed. The battery is charged via the charger unit where Comfort Duett also is kept stored.

As an accessory Comfort Duett can be connected to the TV, telephone, CD-player, radio etc via one of the two cable kit.

## Basic details on Comfort Duett

- 1) Mode selector
- 2) LEDs indicating MIC- or T(loop)-mode
- 3) Volume control
- 4) Pocket clip
- 5) Battery cover
- 6) Maximum gain control
- 7) Base reduction control
- 8) Green LED indicating charge mode
- 9) DC power jack
- 10) Input jack for TV/telephone cable kit and microphone
- 11) Cavity for headphone hook
- 12) Headphone hook
- 13) Input jack for headphones/earphones/neck-loop
- 14) Headphones/earphones
- 15) Rechargeable battery
- 16) Input jack for TV/telephone cable kit and microphone
- 17) Charger unit
- 18) Power supply



The numbers above will be referred to later on in the user guide and are then within brackets.

## Troubleshooting

### Comfort Duett does not work in MIC-mode.

- a) Make sure that the mode selector (1) is in the top position and the green LED has a fixed light, see page 5.
- b) Make sure that the head-/earphones are plugged into Comfort Duett correctly.
- c) Make sure that the volume is correctly adjusted.
- d) Make sure that the maximum gain control (6) is correctly adjusted, see page 6.

### Comfort Duett does not work in T-mode.

- a) Make sure that the mode selector (1) is in the middle position and the orange LED has a fixed light, see page 5.
- b) Make sure that the head-/earphones are plugged into Comfort Duett correctly.

- c) Make sure that the volume is correctly adjusted.
- d) Make sure that the maximum gain control (6) is correctly adjusted, see page 6.
- e) Make sure that the induction loop is working properly.

### Comfort Duett won't charge.

- a) Make sure that the power supply is plugged in correctly into a working wall socket and into the charger unit.
- b) Make sure that Comfort Duett is placed correctly in the charger unit and the green LED on the charger unit has a fixed light.
- c) Make sure that the battery is correctly placed in Comfort Duett and of the recommended type.

## Accessories

There are several accessories available for Comfort Duett. Some of them are presented below.

### CD0610 Earphones

Small, stylish earphones in silver color.

### CD0730 Neck-loop including extension flex

Enables listening to Comfort Duett with your hearing aid in T mode.

### CD0800 Bag

To keep Comfort Duett in.

By using the telephone kit, Comfort Duett will amplify the call on a majority of stationary phones. By using the television kit it is possible to amplify the sound from a variety of sources, like TV, CD-player, radio, etc, with Comfort Duett. Both of the kits are to be connected to the charger unit.

### CD0680 Television kit

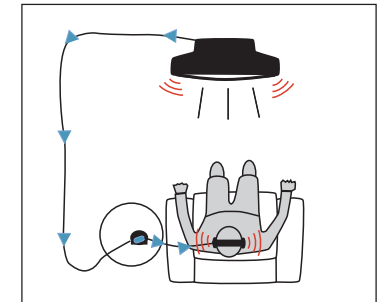
Includes a 9 m cable with 3 different plugs.

### CD0690 Telephone kit

Makes it possible to connect most stationary phones to Comfort Duett.



telephone kit



television kit

Further information about our accessories and Comfort Duett can be found at [www.comfortaudio.se](http://www.comfortaudio.se)

## Placing

The charger unit can be mounted on a wall or simply be placed standing.

*When placed standing:* make sure the surface is smooth, solid and level.

*When mounted on the wall:* use screws suitable for the current wall. Make sure that the head of the screw fits in the slot at the back of the charger unit. The screws should be positioned with a distance of 42 mm, it is recommended to use the drill pattern at the back of this user guide. Do not force the charger unit on to the head of the screws - it might be damaged.

The headphones can be placed on the transparent hook that comes with Comfort Duett. The hook should be positioned in the cavity on the charger unit in the direction shown in the picture.



## For hearing care professionals - maximum gain control & base reduction control

*The following adjustments should be carried out by a hearing care professional!*

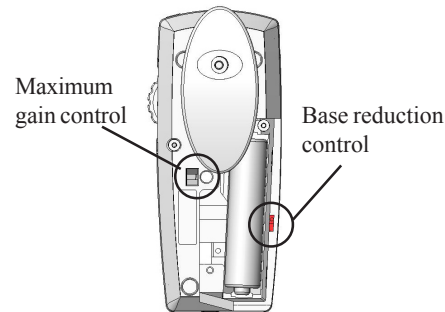
Comfort Duett is equipped with a control that sets the maximum amplification level. Too high amplification level increases the risk of an unpleasant acoustic feedback.

The control is adjusted with a 2 mm screw-driver. The level used, 1-9, is shown in the small display window beside.

Level 1 is the lowest amplification level while level 9 is the highest. The default level when delivered is level 2.

Appropriate maximum amplification level when using a neck-loop is 1-6. If level 6 gives too weak sound, adjust the T-level on the hearing aid.

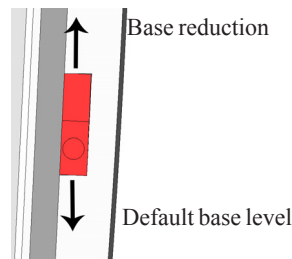
The maximum gain control is placed on the back of Comfort Duett, as seen in the picture.



**Do not adjust the maximum gain control to a higher level than needed when the volume control is in its maximum level!**

**If the maximum gain control is incorrectly adjusted the maximum volume might be harmful!**

The base level can be adjusted with the base reduction control. The control is placed behind the battery cover. If the user prefers less base the small red switch should be moved towards the top of Comfort Duett (with a pen or small screw-driver). The adjustment also affects the sound from external sources connected to Comfort Duett.



## Introducing Comfort Duett

*This is a brief description of Comfort Duett. For detailed information please read through the whole user guide.*

**Do not use too high volume level - the maximum volume might be harmful!**

Place the charger unit (17) where you have easy access. Plug in the power supply (18) into a working wall socket and to the DC power jack (9) in the charger unit. Position the headphone hook (12) into the cavity (11) on the charger unit.

For wall mounting, see page 6.

It is recommended to keep Comfort Duett in its charger unit at all times when it is not in use.

**Never place Comfort Duett in the charger unit with a non recommended battery!**

For more information about battery and charging see page 5.



*The power supply is connected and the hook for the headphones is attached.*

## Using Comfort Duett

Place the head/earphones in a comfortable position and connect them to the input jack (13) on Comfort Duett.

### Communicator/MIC mode:

Make sure that the volume control (3) is in its minimum position, 0.

Slide the mode switch (1) to the top position, the green LED should be lit. Adjust the volume to a proper level.

For more information, please see page 4.

### T (loop) mode:

Make sure that the volume control (3) is in its minimum position, 0.

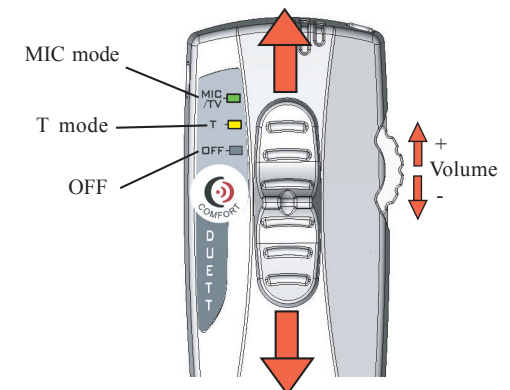
Slide the mode switch (1) to the middle position, the orange LED should be lit. Adjust the volume to a proper level. You receive maximum performance when Comfort Duett is in a vertical position.

For more information, please see page 4.

### OFF:

Comfort Duett is turned off by sliding the mode switch (1) to the bottom position. None of the LEDs should be lit.

If Comfort Duett is placed in the charger unit without having the mode switch in the bottom position it will be turned off anyway (unless an external source like TV or telephone is connected to it and in use). Whenever Comfort Duett is placed in the charger unit it will be charged.



## Way to use – communicator/MIC mode

Place the head/earphones in a comfortable position and connect them to the input jack (13) on Comfort Duett. Make sure that the volume control (3) is in its minimum position, 0. Furthermore, make sure not holding the head/earphones and Comfort Duett to close to each other while it might cause an unpleasant acoustic feedback.

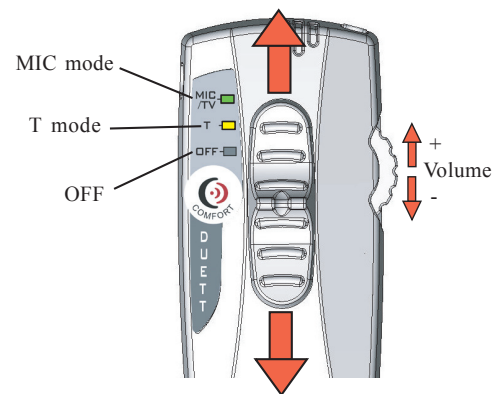
Slide the mode switch (1) to the top position, the green LED should have a fixed light if the battery is charged. If the LED is flashing Comfort Duett needs to be charged. If it's not lit at all the battery is empty/incorrectly placed.

Adjust the volume to a proper level.

The microphone is placed in the top of Comfort Duett and for the best result point it towards the sound source, see picture beside.

Avoid clothing or hand noise on microphone.

Comfort Duett is turned off by sliding the mode switch (1) to the bottom position. Non of the LEDs should be lit.



## Way to use – T(loop) mode

When using the T (loop) mode in Comfort Duett it is possible to pick up the signals from an inductive loop.

When an inductive loop is installed in a public premise the sign below is usually used.



Place the head/earphones in a comfortable position and connect them to the input jack (13) on Comfort Duett. Make sure that the volume control (3) is in its minimum position, 0. Furthermore, make sure not holding the head/earphones and Comfort Duett to close to each other while it might cause an unpleasant acoustic feedback.

Slide the mode switch (1) to the middle position, the orange LED should have a fixed light if the battery is charged. If the LED is flashing Comfort Duett needs to be charged. If it's not lit at all the battery is empty/incorrectly placed.

Adjust the volume to a proper level. To get the best performance in T mode position Comfort Duett vertically.

Comfort Duett is turned off by sliding the mode switch (1) to the bottom position. Non of the LEDs should be lit.

## Cautions/notices

**- Do not adjust the maximum gain control to a higher level than needed when the volume control is in its maximum level!**

**If the maximum gain control is incorrectly adjusted the maximum volume might be harmful!**

**- Never place Comfort Duett in the charger unit with a non recommended battery!**

- Make sure you have a correct volume level before starting using Comfort Duett.

- Make sure not holding the head/earphones and Comfort Duett to close to each other while it might cause an unpleasant acoustic feedback.

- Comfort Duett will not be automatically turned off when placed in the charger unit if the charger unit is not plugged into the wall socket via the power supply.

- Clean gently with a soft, damp cloth. Do not use solvents or immerse in liquids.

- Do not leave Comfort Duett near heat sources or in places with direct sunlight, moisture, excessive dust etc.

- Avoid clothing or hand noise on microphone.

- All service must be carried out by staff authorized by Comfort Audio.

## Charging/Battery

A rechargeable NiMH battery is included with Comfort Duett. The battery is charged whenever Comfort Duett is placed in the charger unit. If Comfort Duett is placed in the charger unit without having the mode switch (1) in the bottom position it will be turned off anyway (unless an external source like TV or telephone is connected to it and in use).

The green LED on the charger unit is lit when Comfort Duett is placed correctly in the charger unit.

Standard non-rechargeable alkaline batteries can be used in Comfort Duett.

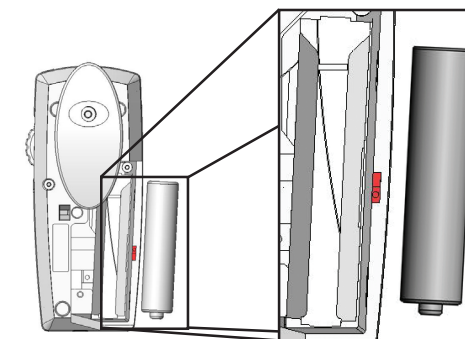


**NOTE: Never place Comfort Duett in the charger unit unless using a recommended NiMH rechargeable battery with a charge rate of at least 85 mA.**

The green LED is lit when Comfort Duett is used in MIC mode and the orange LED is lit in T mode. When the battery level is low the LED indicating the current mode starts to flash.

Typical charge time for the battery is about 14 hours. A fully charged battery lasts for 15-20 hours depending on output level. Comfort Duett usually gets warm while charging. Battery life time is about 3-5 years.

*Replacing the battery:* slide the battery cover to the side and remove the old battery. Place the new battery in the same position as the old. Please notice how the positive and negative ends of the battery should be positioned.



*The battery should be positioned with the positive end towards the bottom of Comfort Duett.*